

WHOLE STRUCTURE

MAGNETIC LEVITATION CENTRIFUGAL BLOWER

The whole machine is highly integrated

Small size, light weight, special structure design, easy installation, portable disassembly and assembly.

PLC electronic control system

- Adopt international brand PLC. Real-time monitor the system operation data and trajectory;
- Multiple protection and early warning functions.

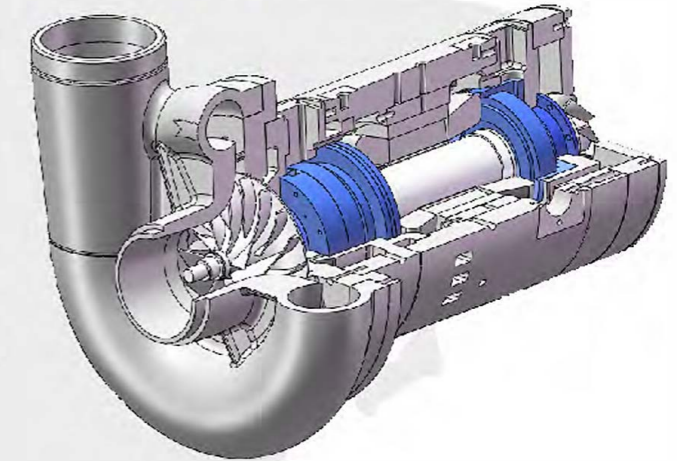


High efficiency inverter

- Adopt well-known brand inverter. High stability and reliability;
- Provide a minimization algorithm for high speed rotation;
- By adjusting the frequency(HZ) to achieve the high speed rotation function of saving energy.

Permanent magnet high speed engine

- The PMSM permanent magnet synchronous motor is optimized for high speed rotation. The efficiency can reach more than 97%. The inverter can be used for precise speed control;
- Precision machined ternary flow impeller;
- Five degrees of freedom magnetic bearing;
- Reliable sensor technology ensures the stable operation of the whole blower's magnetic suspension bearing system. Induced current or vortex current. Low noise and high resolution design. Integrated protection shield external magnetic fields.
- Liquid cooling/air cooling mode.



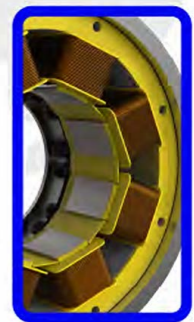
Magnetic bearing controller

- Full digital controller;
- Superior damping function;
- Multifunctional monitoring capability;
- Efficient service interface.



Magnetic levitation bearing sensor

- Reliable sensor technology ensures the stable operation of the whole blower's magnetic suspension bearing system.
- Induced current or vortex current.
- One sensor unit(3 displacement, 1 rotation) standby pulse sensor has four induction channels.
- Low noise and high resolution design, integrated protection shield external magnetic fields.



COMPREHENSIVE ADVANTAGES

Energy efficient

- 30% energy saving compared with traditional Roots blower

Efficient Air Energy Management

- PLC control system + touch screen, real-time monitoring system operation
- Standard Internet of Things, component background service platform, control the operation anytime, anywhere

Low maintenance cost

- Semi-permanent design under 20 years, no iterative troubles
- 100% oil-free air-floating bearing system to avoid secondary pollution, no need for regular maintenance and replacement of bearings

Easy to install

- The whole machine is highly integrated, small in size and light in weight
- No foundation or anchor bolts required

MAGNETIC LEVITATION CENTRIFUGAL BLOWER

TURBO BLOWER

- Power: 22-750kW
- Pressure: 40-120kPa



Low noise no vibration



Energy saving and environmental protection



Intelligent remote control



Convenient disassembly and assembly



PARAMETER SELECTION

Technical data sheet XLMCB30-XLMCB400 (40kPa)

Model	XLMCB 30	XLMCB 40	XLMCB 50	XLMCB 60	XLMCB 75	XLMCB 100	XLMCB 136	XLMCB 136	XLMCB 200	XLMCB 250	XLMCB 300	XLMCB 400	
Power	kW	22	30	37	45	55	75	90	110	150	185	220	300
Pressure	kPa	Air flow(m ³ /min):1atm,20°C, Humidity65%											
	40	30	40	50	60	75	100	125	150	200	250	300	400
Size (mm)	L	780	780	950	950	950	1250	1250	1350	1350	1450	1450	1450
	W	1820	1820	1860	1860	1860	1950	1950	2080	2080	2650	2650	2650
	H	1390	1390	1780	1780	1780	2000	2000	2200	2200	2600	2600	2600
Weight	kg	470	470	700	700	1250	1250	1450	1500	1500	2300	2900	2900
Outlet pipe diameter		DN150	DN150	DN200	DN200	DN200	DN300	DN300	DN300	DN400	DN400	DN400	DN400

Technical data sheet XLMCB30-XLMCB150 (60/80/100/120kPa)

Model	XLMCB 30	XLMCB 40	XLMCB 50	XLMCB 50	XLMCB 50	XLMCB 100	XLMCB 125	XLMCB 150	
Power	kW	22	30	37	45	55	75	90	110
Pressure	kPa	Air flow(m ³ /min):1atm,20°C, Humidity65%							
	60	20	27	34	42	52	69	82	105
	80	17	23	28	34	43	56	71	84
	100	-	-	22	26	35	48	57	73
	120	-	-	-	-	-	39	48	58
Size (mm)	W	780	780	780	950	950	950	1250	1250
	L	1820	1820	1820	1860	1860	1860	1950	1950
	H	1390	1390	1390	1780	1780	1780	2000	2000
Weight	kg	450	450	450	700	700	700	1250	1250
Outlet pipe diameter		DN150	DN150	DN150	DN200	DN200	DN200	DN300	DN300

Technical data sheet XLMCB200-XLMCB1000(60/80/100/120kPa)

Model	XLMCB 200	XLMCB 250	XLMCB 300	XLMCB 400	XLMCB 500	XLMCB 600	XLMCB 800	XLMCB 1000	
Power	kW	150	185	220	300	375	450	600	750
Pressure	kPa	Air flow(m ³ /min):1atm,20°C, Humidity65%							
	60	140	160	210	272	320	420	545	640
	80	109	135	164	216	270	325	430	540
	100	96	118	145	190	225	270	360	452
	120	78	95	117	156	200	240	318	400
Size (mm)	W	1350	1350	1350	1350	1450	1450	1800	1800
	L	2080	2080	2480	2480	2650	2650	3500	3500
	H	2200	2200	2570	2570	2600	2600	3000	3000
Weight	kg	1500	1500	2300	2300	2900	2900	3500	3500
Outlet pipe diameter		DN300	DN300	DN400	DN400	DN500	DN500	DN600	DN600